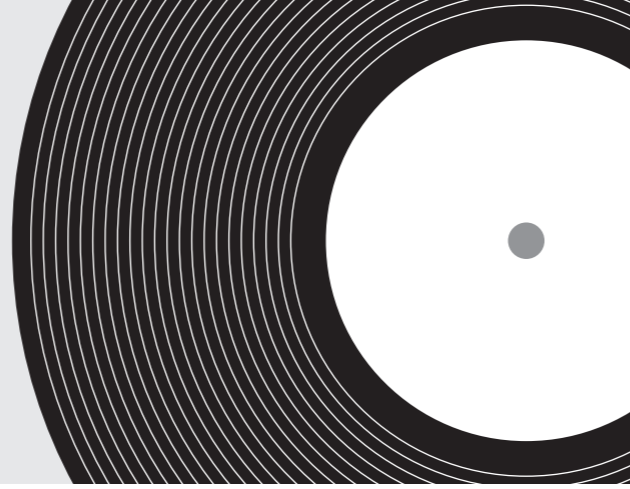


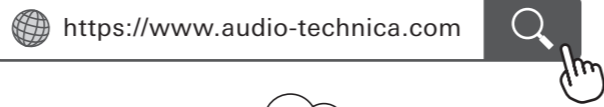
TURNTABLE QUICK START GUIDE

AT-LPW50BT

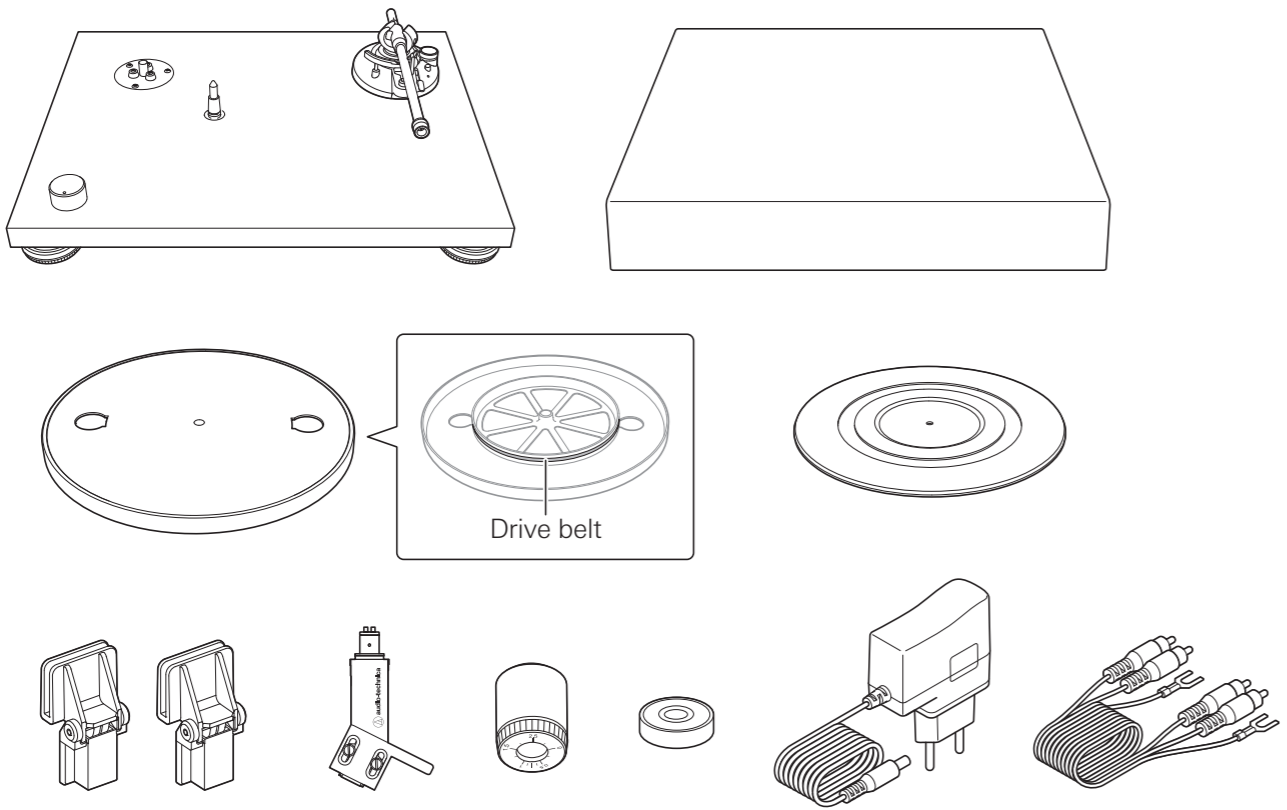


INFORMATION

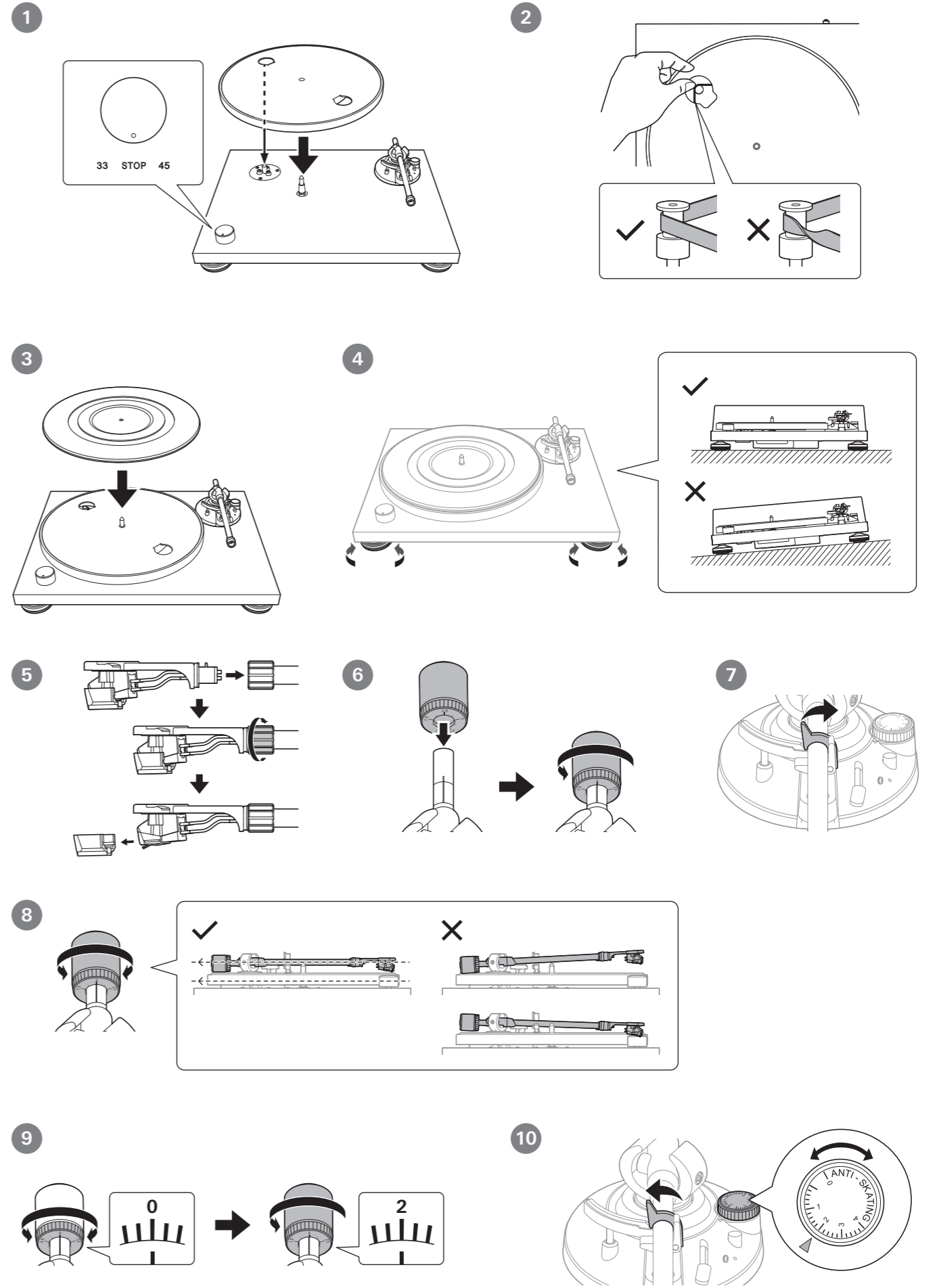
User Manual
 Manuel de l'utilisateur
 Bedienungsanleitung
 Manuale dell'utente
 Manual de usuario
 Manual do Usuário
 Руководство пользователя
 用户手册
 使用説明書
 사용설명서



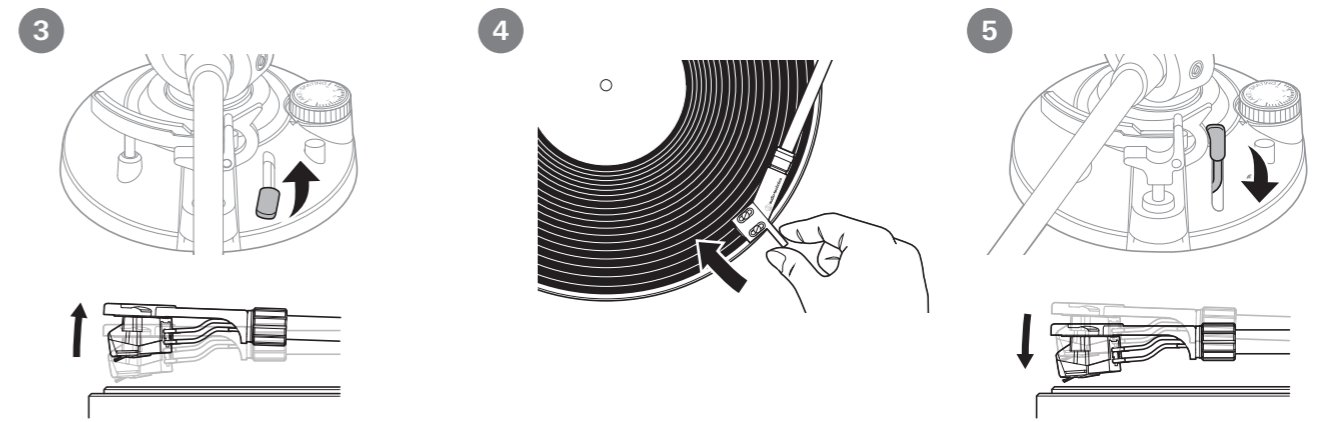
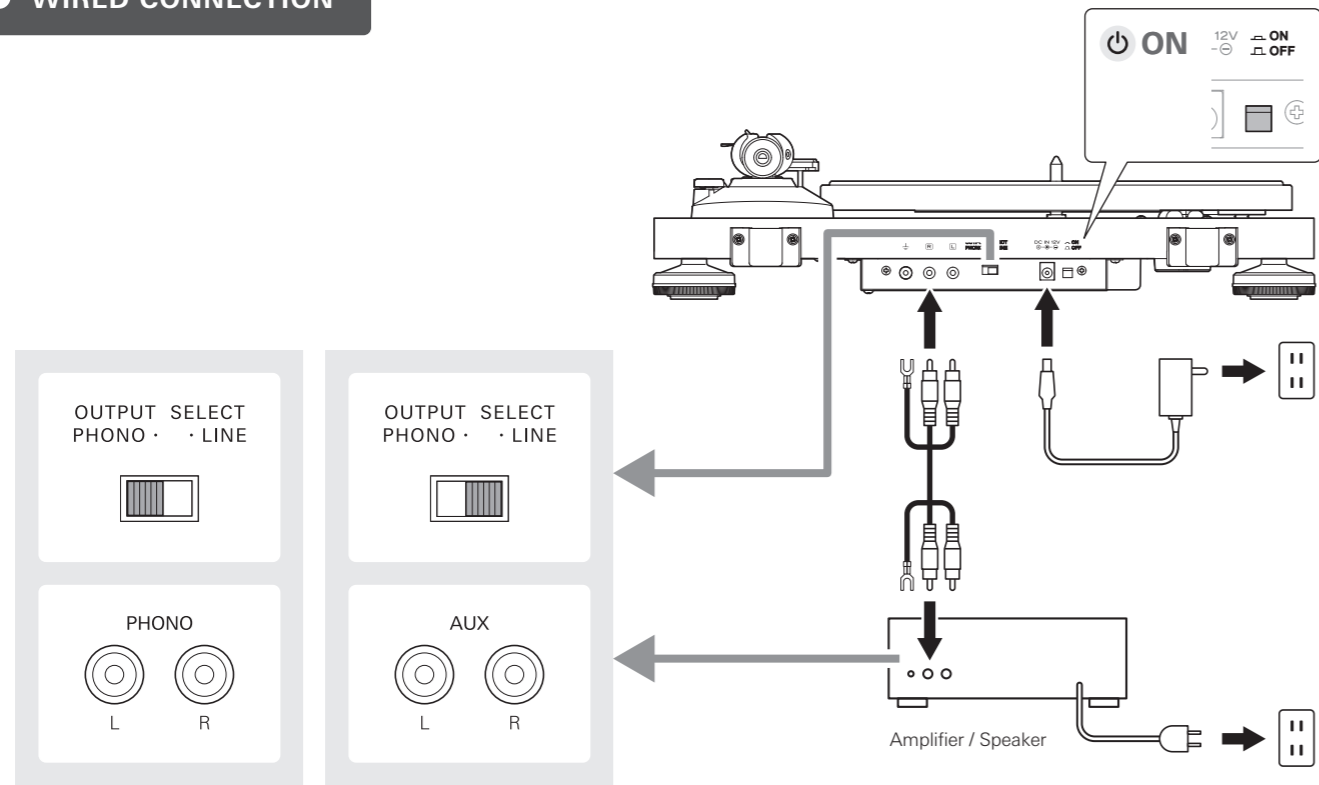
CONTENTS



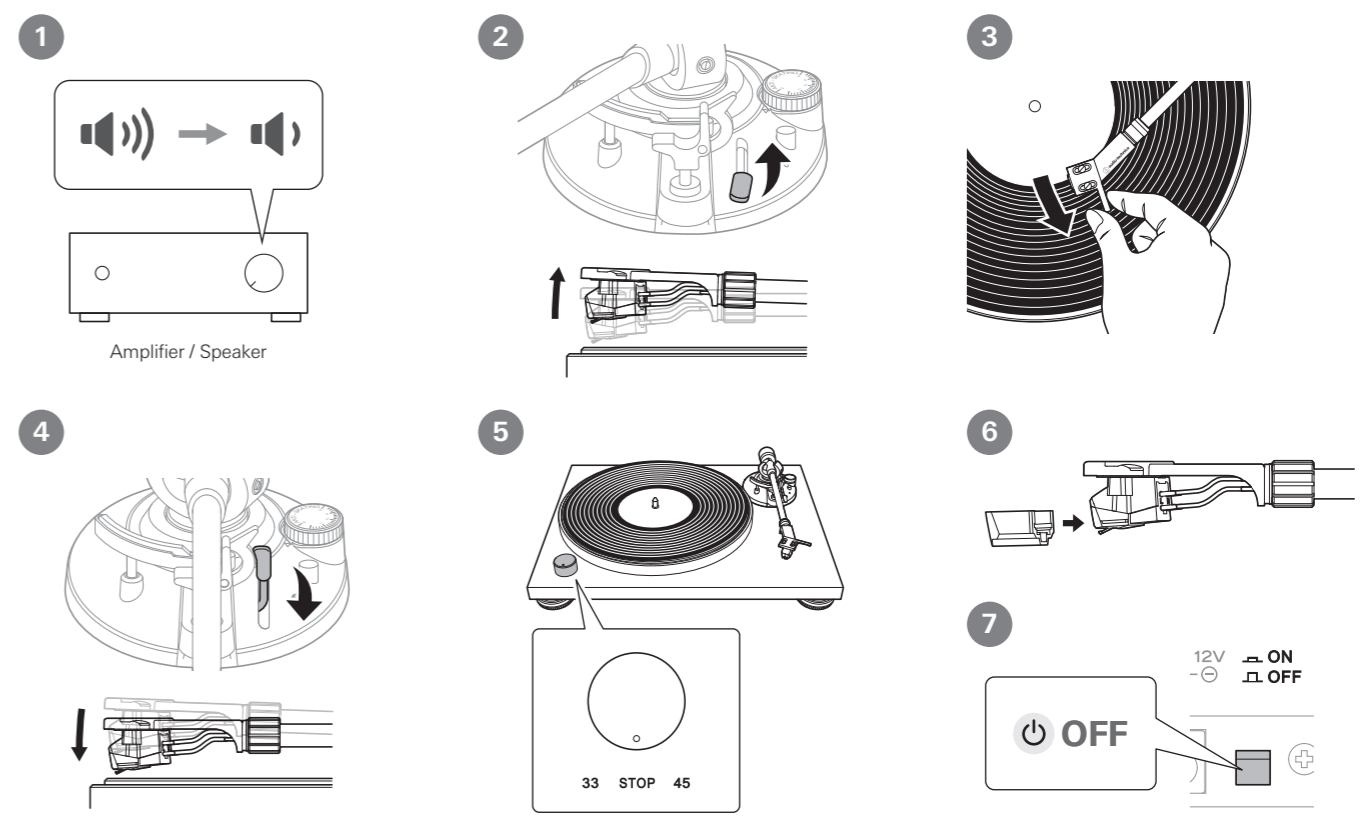
PREPARATION



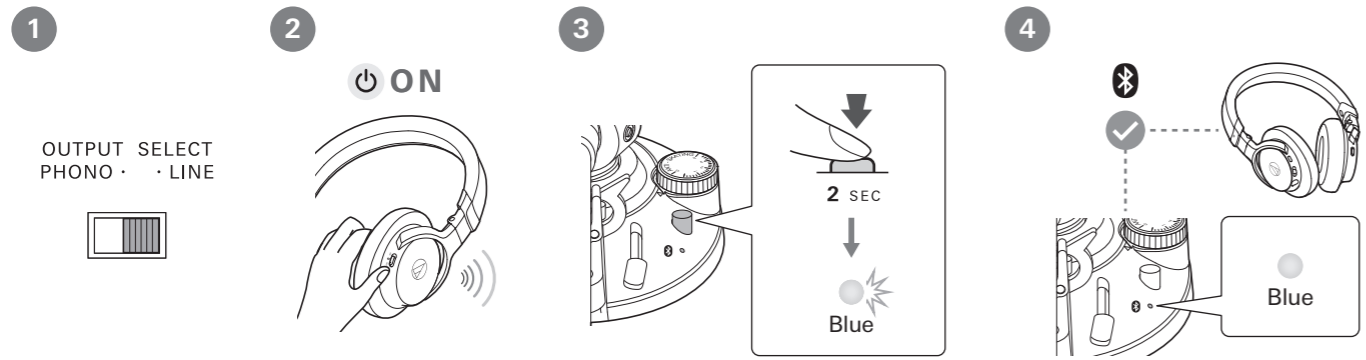
WIRED CONNECTION



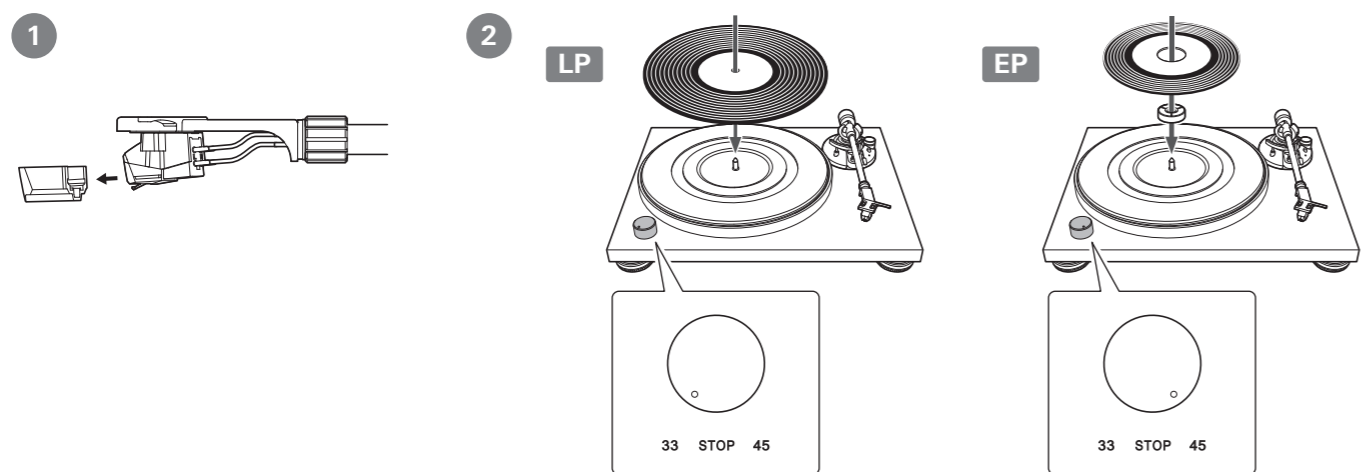
STOP



WIRELESS CONNECTION

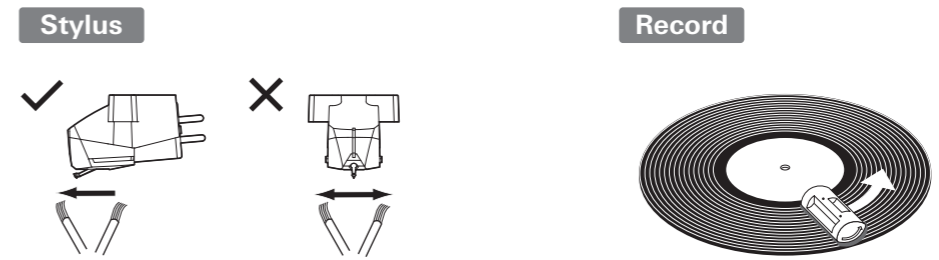


PLAY



CLEANING

For details about turntable and cartridge care accessories, visit <https://www.audio-technica.com>



•The Bluetooth® word mark and logos are registered trademarks owned by Bluetooth SIG, Inc. and any use of such marks by Audio-Technica Corporation is under license. Other trademarks and trade names are those of their respective owners.