

AT-LP8X

Quick Start Guide
Semi-Automatic Direct-Drive Turntable

Guide de démarrage rapide
Tourne-disque à entraînement direct semi-automatique

Kurzanleitung
Halbautomatischer direktgetriebener Plattenspieler

Guida rapida
Giradischi a trasmissione diretta semi automatico

Guía de inicio rápido
Giradiscos semiautomático con accionamiento directo

Guia de início rápido
Toca-discos semiautomático com acionamento direto

Краткое руководство по установке
Полуавтоматический проигрыватель с прямым приводом

快速启动指南
半自动直接驱动唱盘机

快速入門指南
半自動直接驅動唱盤機

간편 사용 설명서
반자동 다이렉트 드라이브 턴테이블

Audio-Technica Corporation
2-46-1 Nishi-naruse, Machida, Tokyo 194-8666, Japan
www.audio-technica.com
©2024 Audio-Technica Corporation
Global Support Contact: www.at-globalsupport.com

351709650-01-01

ver.1 2024.02.01

User Manual (Online Manual)

<https://www.audio-technica.co.jp/document/AT-LP8X/Default.html>



Support

For more information on how to use this product and troubleshoot any problems, refer to the user manual on the Audio-Technica website.

Support

Pour plus d'informations sur l'utilisation de ce produit et la résolution des problèmes, reportez-vous au manuel de l'utilisateur sur le site Web d'Audio-Technica.

Unterstützung

Weitere Informationen zum Gebrauch dieses Produkts und zur Behebung eventueller Probleme entnehmen Sie bitte der Bedienungsanleitung auf der Website von Audio-Technica.

Assistenza

Per maggiori informazioni sull'utilizzo del presente prodotto e per la risoluzione di eventuali problemi, fare riferimento al manuale dell'utente sul sito Audio-Technica.

Asistencia

Para más información sobre el uso de este producto y la resolución de problemas, consulte el manual de usuario en el sitio web de Audio-Technica.

Supporte

Para obter mais informações sobre como usar este produto e solucionar qualquer problema, consulte o manual do usuário no site da Audio-Technica.

Техническая поддержка

Для получения дополнительной информации о том, как использовать этот продукт и устранять любые неисправности, обратитесь к руководству пользователя на веб-сайте Audio-Technica.

支持信息

关于如何使用本产品及解决各种问题的详细信息, 请参阅“铁三角”网站上的用户手册。

支援資訊

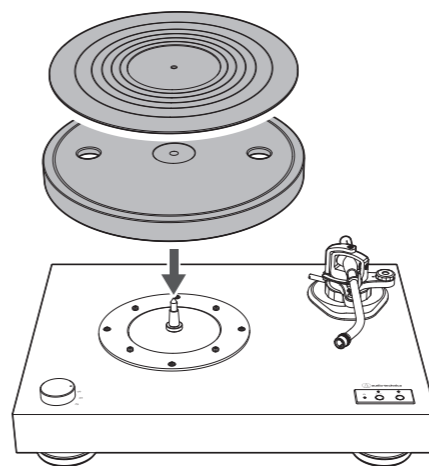
有關本產品的使用方法以及各種問題的故障排除方法, 請參閱「鐵三角」網站上的使用說明書。

지원

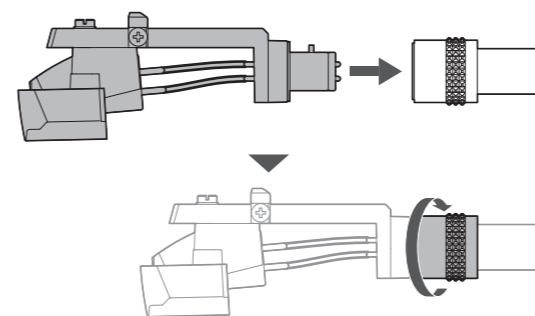
본 제품의 사용법 및 문제 해결에 관한 자세한 사항은 Audio-Technica 웹사이트의 사용자 설명서를 참조하십시오.

Preparation

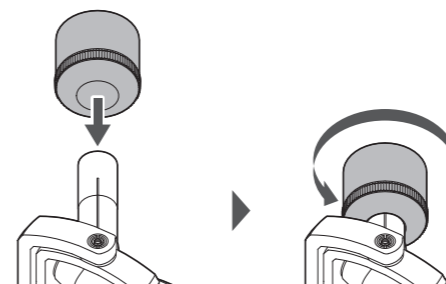
1 Set the platter and the rubber mat on the spindle.



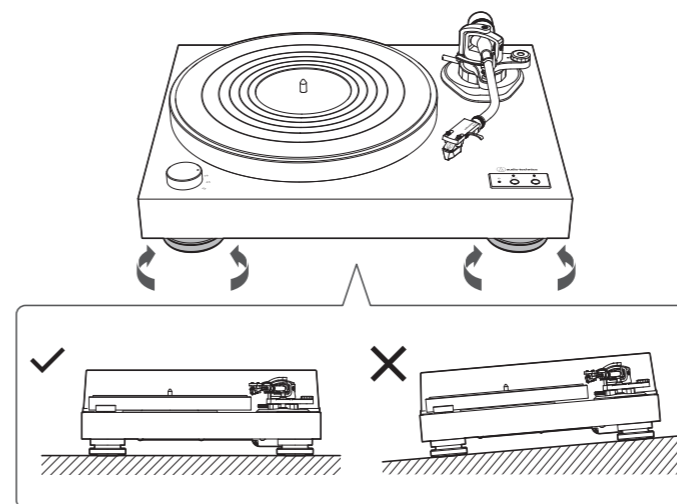
2 Attach the headshell.



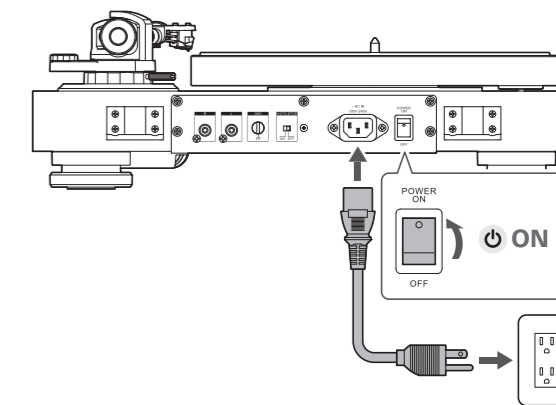
3 Attach the counterweight to the back of the tonearm, and slowly turn it counterclockwise (to the left).



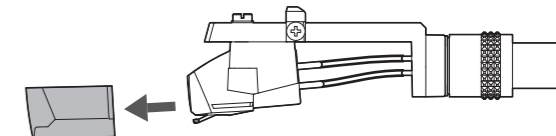
4 Level the turntable.



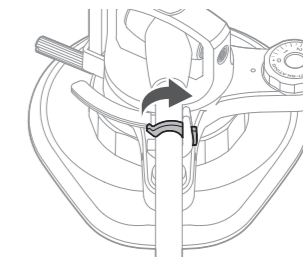
5 Connect the power cable and turn the turntable on.



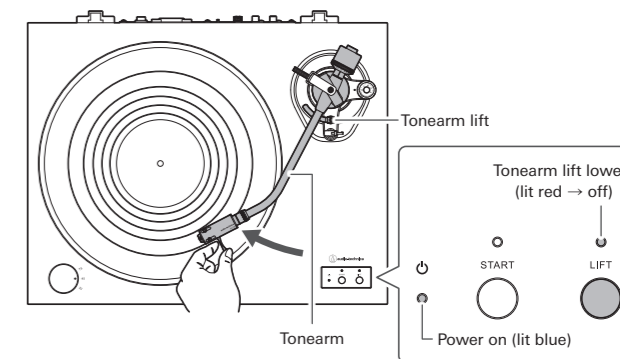
6 Remove the cartridge's protector.



7 Unlatch the clamp.

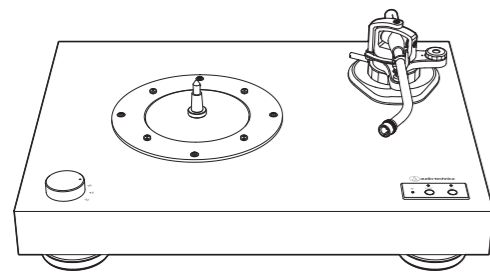


8 Move the tonearm over the rubber mat. Press the LIFT button to lower the tonearm lift while holding the headshell.

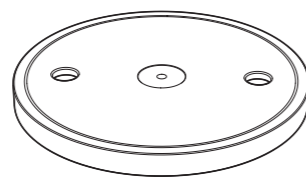


! Be careful not to allow the stylus tip to touch the rubber mat.

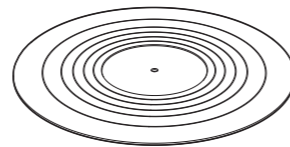
Contents



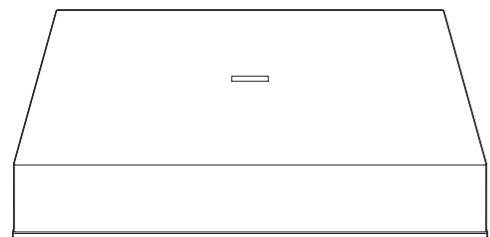
Turntable body



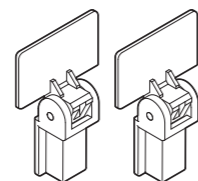
Platter



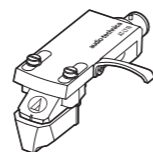
Rubber mat



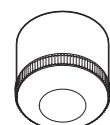
Dust cover



Dust cover hinges



Headshell with VM stereo cartridge



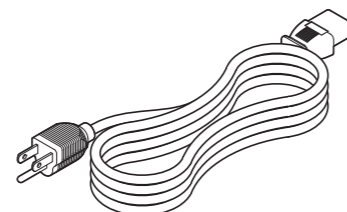
Counterweight



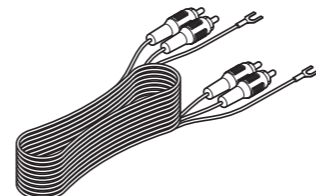
Subcounterweight



45 RPM adapter

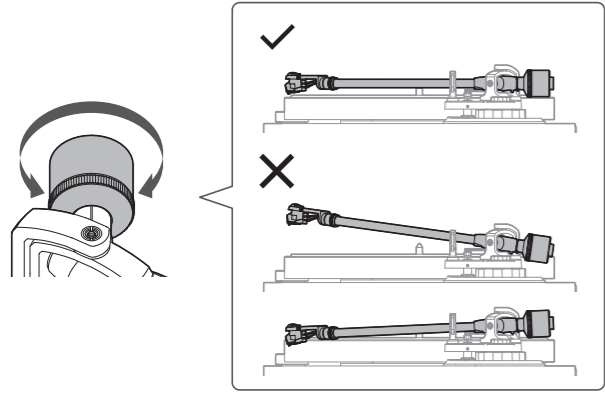


Power cable

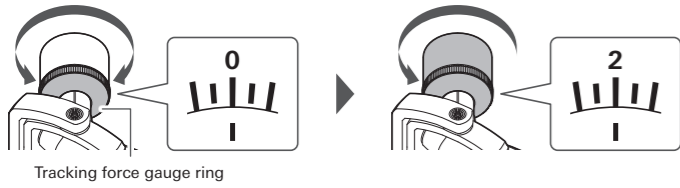


RCA audio cable

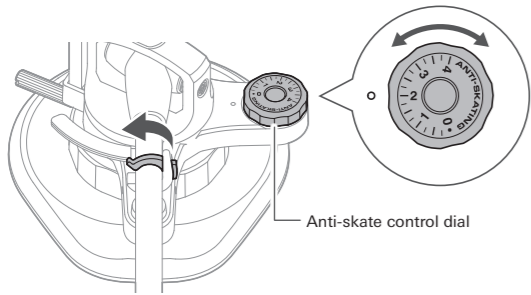
9 Turn the counterweight to adjust the tonearm's balance so that the tonearm is level when you release the headshell.



10 Set the tracking force gauge ring to the "0" position. After that, turn the counterweight and the tracking force gauge ring together counterclockwise (to the left) to the "2" position.

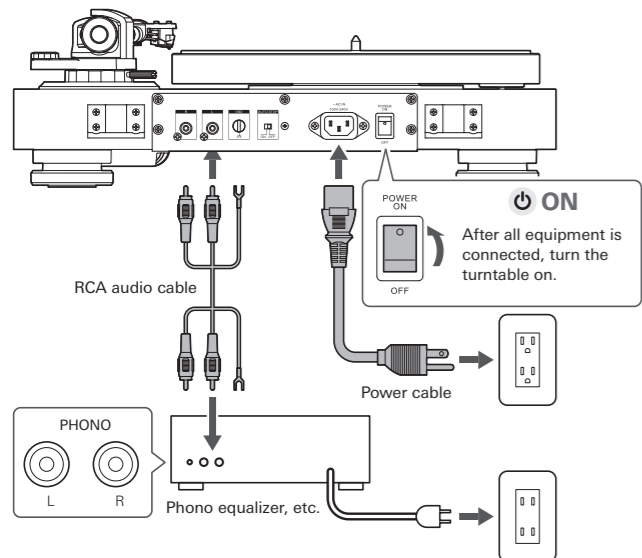


11 Set the anti-skate control dial to "2", the same value as the tracking force value.



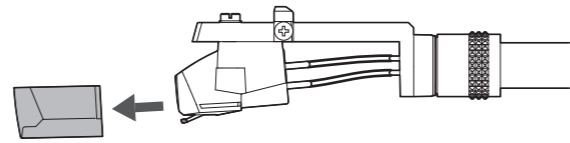
Connection

Connect the turntable to the PHONO input of a phono equalizer or an amplifier with a built-in phono equalizer.

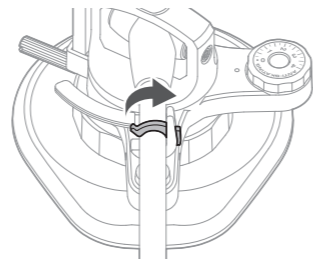


Play

1 Remove the cartridge's protector.

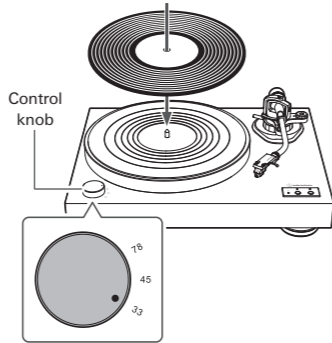


2 Unlatch the clamp.

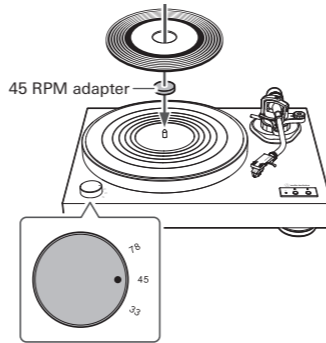


3 Turn the turntable on, place the record on the platter, and use the control knob to select the speed.

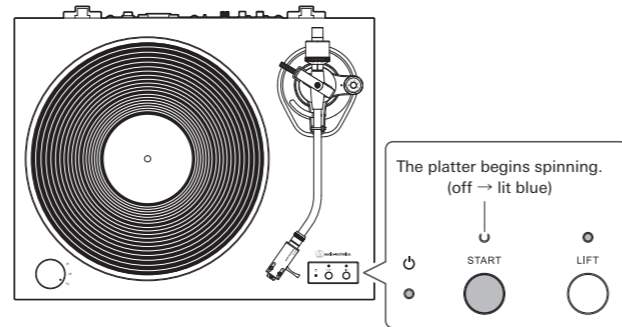
At 33-1/3 RPM



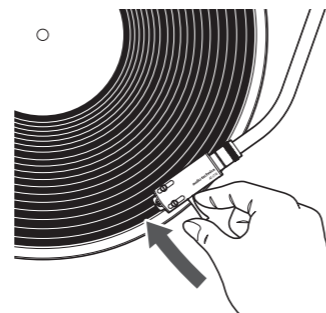
At 45 RPM



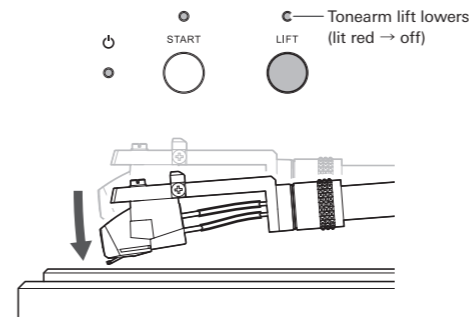
4 Press the START button.



5 Position the tonearm over the desired location (groove) on the record.

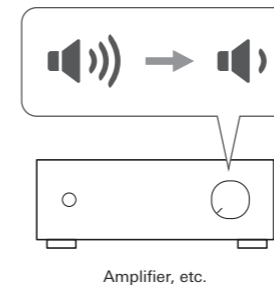


6 Lower the tonearm by pressing the LIFT button.

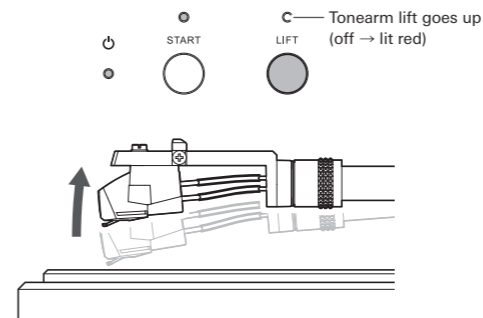


Stop

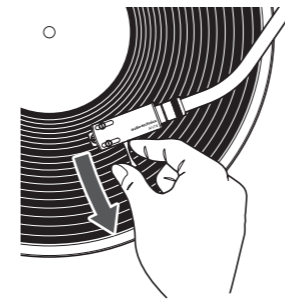
1 Lower the volume of the connected device (amplifier, etc.).



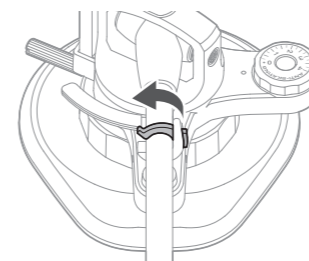
2 Raise the tonearm by pressing the LIFT button.



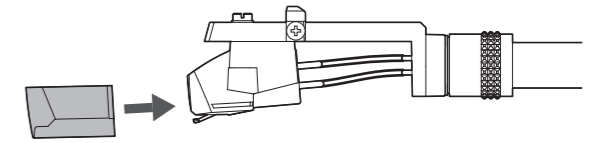
3 Return the tonearm to the tonearm rest.



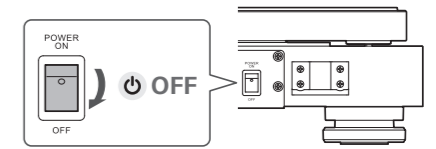
4 Secure the tonearm with the clamp.



5 Attach the cartridge's protector.



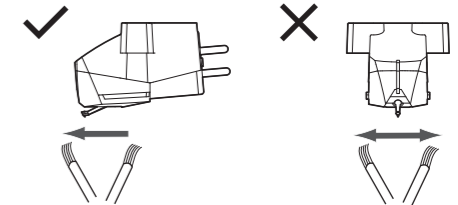
6 Turn the turntable off.



Cleaning

After turning the turntable off and unplugging the power cable from the outlet, clean the turntable as necessary. For details about turntable and cartridge care accessories, visit <https://www.audio-technica.com>.

Stylus



Record

